

### DATE OF BULLETIN:

11-4-2016

### THIS BULLETIN SUPERSEDED BULLETIN(S):

None

### MODELS AFFECTED:

MICRO-HD

MINI-HD

MAG-HD

### MACHINE SYMPTOMS:

None

### SCOPE OF BULLETIN:

New Optional Drain Hose Extension (MICRO-HD, MINI-HD & MAG-HD)

Modified Jaw Rollers for Improved Clearance (MINI-HD & MAG-HD Only)

New Jaw Hinge Adjustment (MINI-HD & MAG-HD Only)

### MATERIALS REQUIRED:

Retrofit Kits for new Roller Baskets:

Kit #175-1126D for 26" MINI-HD XL

Kit #175-1127D for 28" MINI-HD XL

Kit #264-1226D for 30" MAG-HD XL

Kit #264-1227D for 34" MAG-HD XL

Retrofit Kits for new Jaw Hinge Adjustment:

Kit #264-1160D for all machines



### REVISIONS:

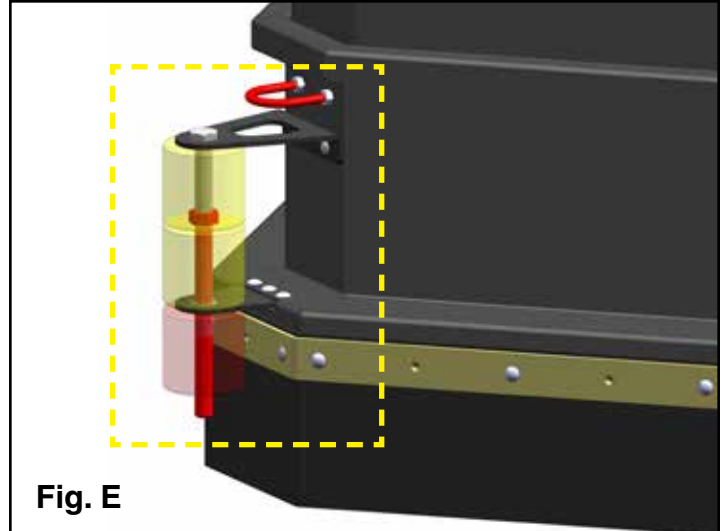
#### New Optional Drain Hose 5:1 Extension - Effective on MICRO-HD, MINI-HD & MAG-HD Machines:

We now have an expandable, locking Drain Hose 5:1 Extension that will fit all of our new walk behind's new style of twist-off drain hoses (Fig. A). This hose expands to over 15' (Fig. B) but stores in a much more compact size (21" x 6") (Fig. C). If the customer requires 30' or more of drain hose, you can couple 2, or more, together. Option Number - #950-200.



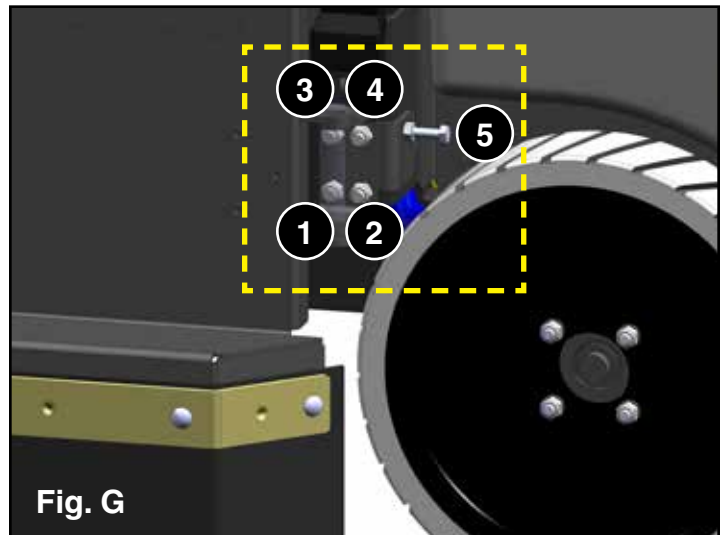
### Modified Jaw Rollers - Effective on MINI-HD & MAG-HD Machines October 13<sup>th</sup>:

We also raised the Rollers so the bolt will no longer catch on objects or coming down ramps (Fig. D) while retaining a tie-down point in the new top roller bracket (Fig. E). Parts in **Red** have been removed (Fig. E). If you wish to update existing MINI-HD or MAG-HD jaws, order the retrofit kits listed on the first page.



### New Jaw Hinge Pivot Adjustments Assembly - Effective on MINI-HD & MAG-HD Machines October 7<sup>th</sup>:

Our new style Jaw Assemblies allow unique pivot adjustments to balance out the level of the jaws (Fig. F). If you wish to update existing MINI-HD or MAG-HD jaws, order the retrofit kits listed on the first page.



#### Adjusting the Jaws level (Fig. G):

1. With a 1/2" socket, loosen the Nylock nuts ( #1 - #4) .
2. With 7/16" open wrench, loosen jam nut on bolt #5.
3. Adjust bolt #5 in to raise the Jaw and opposite to lower it.
4. After Jaw alignment is satisfactory, tighten nuts (#1 - #4)