

DATE OF BULLETIN:

11-4-2016

THIS BULLETIN SUPERSEDED BULLETIN(S):

None

MODELS AFFECTED:

SPORT

CARBON

HERO

MACHINE SYMPTOMS:

None

SCOPE OF BULLETIN:

New Optional Drain Hose Extension (SPORT, CARBON & HERO)

Modified Jaw Rollers for Improved Clearance (CARBON & HERO Only)

New Jaw Hinge Adjustment (CARBON & HERO Only)

MATERIALS REQUIRED:

Retrofit Kits for new Roller Baskets:

Kit #175-1126D for 26" CARBON XL

Kit #175-1127D for 28" CARBON XL

Kit #264-1226D for 30" HERO XL

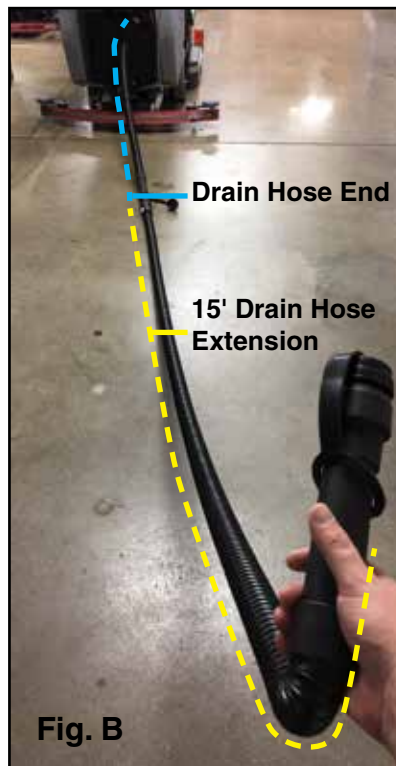
Kit #264-1227D for 34" HERO XL

Retrofit Kits for new Jaw Hinge Adjustment:

Kit #264-1160D for all machines

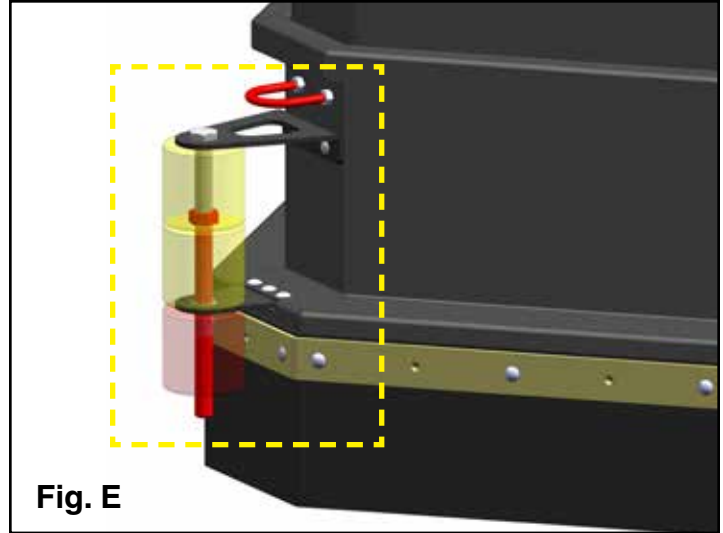
**REVISIONS:****New Optional Drain Hose 5:1 Extension - Effective on SPORT, CARBON & HERO Machines:**

We now have an expandable, locking Drain Hose 5:1 Extension that will fit all of our new walk behind's new style of twist-off drain hoses (Fig. A). This hose expands to over 15' (Fig. B) but stores in a much more compact size (21" x 6") (Fig. C). If the customer requires 30' or more of drain hose, you can couple 2, or more, together. Option Number - #950-200.



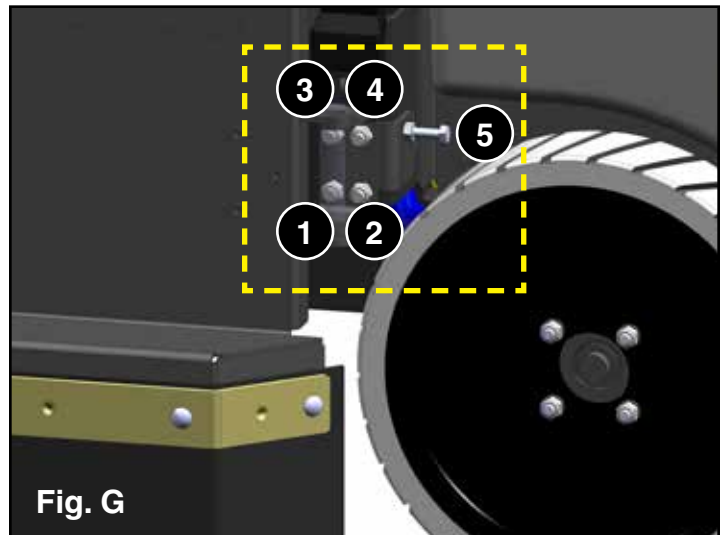
Modified Jaw Rollers - Effective on CARBON & HERO Machines October 13th:

We also raised the Rollers so the bolt will no longer catch on objects or coming down ramps (Fig. D) while retaining a tie-down point in the new top roller bracket (Fig. E). Parts in Red have been removed (Fig. E). If you wish to update existing CARBON or HERO jaws, order the retrofit kits listed on the first page.



New Jaw Hinge Pivot Adjustments Assembly - Effective on CARBON & HERO Machines October 7th:

Our new style Jaw Assemblies allow unique pivot adjustments to balance out the level of the jaws (Fig. F). If you wish to update existing CARBON or HERO jaws, order the retrofit kits listed on the first page.



Adjusting the Jaws level (Fig. G):

1. With a 1/2" socket, loosen the Nylock nuts (#1 - #4) .
2. With 7/16" open wrench, loosen jam nut on bolt #5.
3. Adjust bolt #5 in to raise the Jaw and opposite to lower it.
4. After Jaw alignment is satisfactory, tighten nuts (#1 - #4)